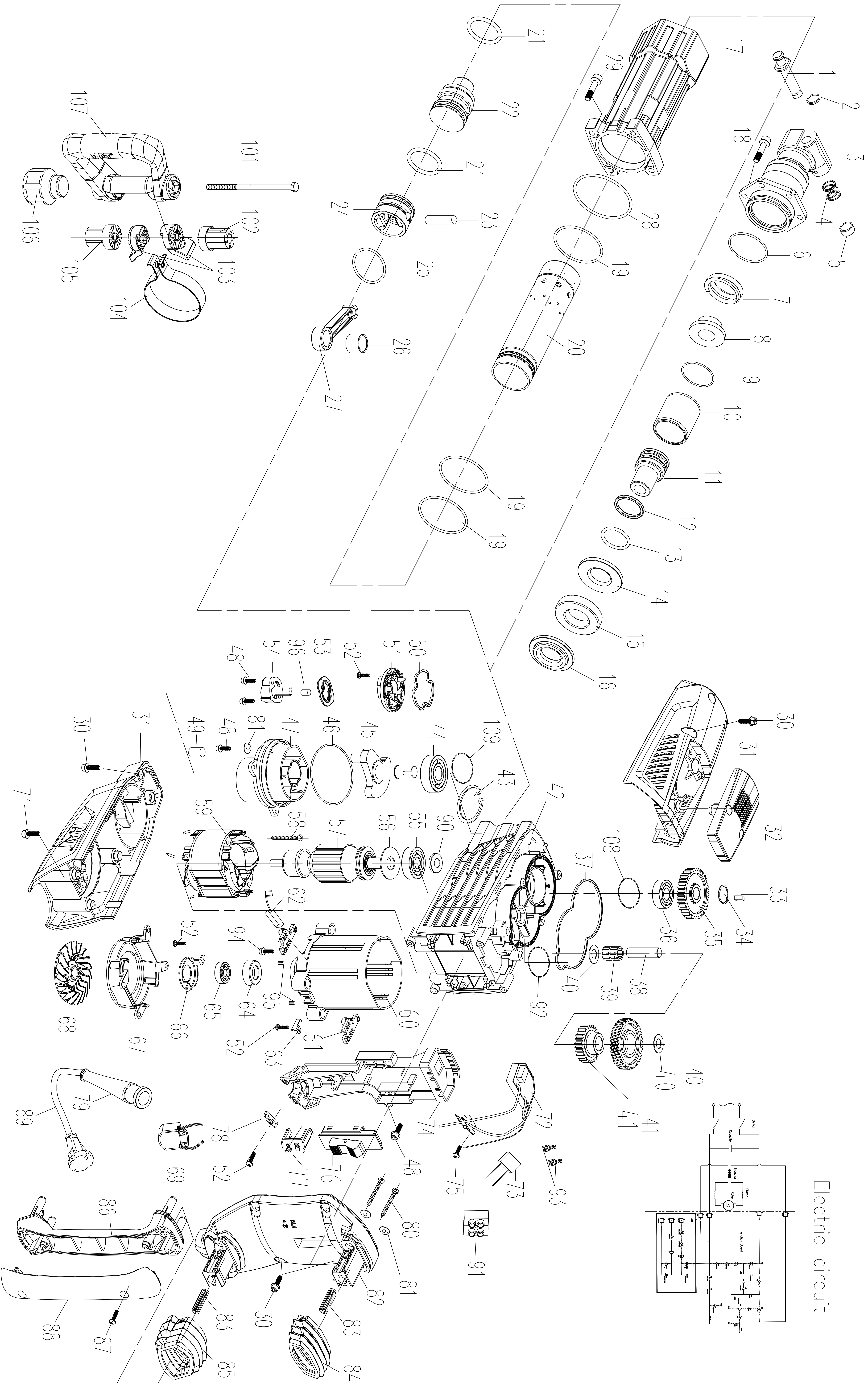


DX29

Version:00

Date:210831



Electric circuit

Model No	Position No	Material No	Description	QTY	Remarks	Recommended order ratio	Serial No
DX29	1	600678111	Stop Pin	1		3%	
DX29	2	60067812	Circulp. 16	1		3%	
DX29	3	60067813	Grp. Slipper	1		3%	
DX29	4	60067814	Spring	1		3%	
DX29	5	60067815	Locking Sleeve	1		3%	
DX29	6	60067817	Anti-Vibration Spring	1		3%	
DX29	7	60067818	Anti-Vibration Spring	1		3%	
DX29	8	60067819	Anti-Vibration Washer	1		3%	
DX29	9	60067820	Steel Sleeve	1		3%	
DX29	10	60067821	Steel Sleeve	1		3%	
DX29	11	60067822	Second Striker	1		3%	
DX29	12	60067823	X-Ring 35.5X4	1		3%	
DX29	13	60067824	O-Ring 35.5X4	1		3%	
DX29	14	60067825	Anti-Vibration Washer	1		3%	
DX29	15	60067826	Anti-Vibration Rubber Ring	1		3%	
DX29	16	60067828	Locking Circle	1		3%	
DX29	17	60067827	Cylinder Case	1		1%	
DX29	18	60067828	Screw M10X45-ZT	6		3%	
DX29	19	60067829	O-Ring 55X1.5	3		3%	
DX29	20	60067830	Cylinder	1		1%	
DX29	21	60067831	O-Ring 42X5.3	2		3%	
DX29	22	60067832	Ram	1		5%	
DX29	23	60067833	Piston Pin 12X43	2		3%	
DX29	24	60067834	Piston	1		3%	
DX29	25	60067835	O-Ring 44.4X2.8	1		3%	
DX29	26	60067831	Needle Bearing NK1616	1		3%	
DX29	27	60067832	Needle Bearing NK1616	1		1%	
DX29	28	60067832	Oil Seal 65X2	1		1%	
DX29	29	60067831	O-Ring 65X2	4		1%	
DX29	30	60067840	Screw M6X30	12			
DX29	31	60067841	Upper/Lower Cover	1			
DX29	32	60067842	Air Guide Plate	1			
DX29	33	60067843	Pin	2			
DX29	34	60067844	Circulp. 17	1		3%	
DX29	35	60067845	Big Gear	1		3%	
DX29	36	60067846	Bearing 6203DD	1		3%	
DX29	37	60067847	Seal	1		3%	
DX29	38	60067848	Middle Shaft	1		1%	
DX29	39	60067849	Needle Bearing K142012	2			
DX29	40	60067850	Washer	2			
DX29	41	60067851	First/Second Gear	1		1%	
DX29	42	60067852	Crank Shaft Case	1			
DX29	43	60067853	Crroll	1		3%	
DX29	44	60067854	Bearing 6304-Rs	1		3%	
DX29	45	60067855	Crnk Shaft	1		3%	
DX29	46	60067856	Crnk Shaft	1		3%	
DX29	47	60067857	Crnk Window Seal	1		3%	
DX29	48	60067858	Screw M5X20	7		3%	
DX29	49	60067859	Fell Column	1			
DX29	50	60067860	Seal	1		3%	
DX29	51	60067861	Inner Grease Cap	1			
DX29	52	60067862	Self Tapping Screw ST14.2X16	11			
DX29	53	60067863	Seal Washer	1			
DX29	54	60067864	Outer Grease Cap	1			
DX29	55	60067865	Bearing 6302VV	1		3%	
DX29	56	60067866	Washer	1			
DX29	57	60067867	Rotor for 220-240V	1		3%	
DX29	58	60067868	Self Tapping Screw ST14.8X67	2		3%	
DX29	59	60067869	Stator for 220-240V	1		3%	
DX29	60	60067870	Motor Housing	1			
DX29	61	60067871	Brush Holder	2			
DX29	62	60067872	Carbon Brush(Pair)	1		3%	
DX29	63	60067873	Insert Plate	1			
DX29	64	60067874	Bearing S20DD	1			
DX29	65	60067875	Bearing S20DD	1		3%	
DX29	66	60067876	Bearing Clamp	1			
DX29	67	60067877	Air Guide	1			
DX29	68	60067878	Fan	1			
DX29	69	60067879	Inductance	1			
DX29	70	60067880	Screw M6X45	4			
DX29	71	60067881	Controller for 220-240V	1		1%	
DX29	72	60067882	Capacitance	1			
DX29	73	60067883	Wiring Board	1			
DX29	74	60067884	Self Tapping Screw ST14.0X16	2			
DX29	75	60067885	Switch	1		3%	
DX29	76	60067886	Neon Cover	1			
DX29	77	60067887	Cord Press Plate	1			
DX29	79	60067888	Cord Sheath	1			
DX29	80	60067889	Self Tapping Screw ST15.5X32	4			
DX29	81	60067890	Washer	7			
DX29	82	60067891	Handle Seal	1			
DX29	83	60067892	Spring Anti-Vibration Coat	2			
DX29	84	60067893	Upper Anti-Vibration Coat	1			
DX29	85	60067894	Lower Anti-Vibration Coat	1			
DX29	86	60067895	Handle	1			
DX29	87	60067896	Self Tapping Screw ST14.8X25	2			
DX29	88	60067897	Handle Cap	1			
DX29	89	60067917	Cord	1			
DX29	89	60067915	Cord	1			
DX29	89	60067916	Cord	1			
DX29	89	60071958	Cord	1			
DX29	89	60067898	Cord	1			
DX29	89	60067899	Oil Slinger	1			
DX29	90	60067900	Wiring Terminal	1		3%	
DX29	92	60067901	O-Ring 42X2	1			
DX29	93	60067902	Slot	2		3%	
DX29	94	60067903	Screw M4X16	2			
DX29	95	60067904	Nut M4X12	2			
DX29	96	60067905	Fel Plug	1			
DX29	101	60067906	Bolt M6. T40	1			
DX29	102	60067907	Clamping Seal 1	1			
DX29	104	60067908	Clamp Face	2			
DX29	104	60067909	Clamp Face	1			
DX29	105	60067910	Clamping Seal 2	1			
DX29	106	60067911	Star Knob	1		1%	
DX29	107	60067912	Auxiliary Handle	1		3%	
DX29	108	60067913	O Ring 39.6X2	1		3%	
DX29	109	60067914	O Ring 51.5X3.55	1		3%	